

TECHNICAL DATA  
DATA SHEET 5422, REV. C

## Diode Array

- **Devices are serialized**
- **Eight 1N6642 diodes in surface mount package**
- **Die manufactured on qualified JANS line**
- **Built and screened to space level quality (SDA1005SS)**
- **Quality Conformance Inspection (QCI) in accordance with MIL-PRF-38534 is performed on each lot (SDA1005SS)**
- **Add suffix "S" for screening per MIL-PRF-38534, Class H (SDA1005S)**
- **Add suffix "SS" for Space Level Screening per MIL-PRF-38534, Class K (SDA1005SS)**

### MAX. RATINGS / ELECTRICAL CHARACTERISTICS FOR EACH DIODE

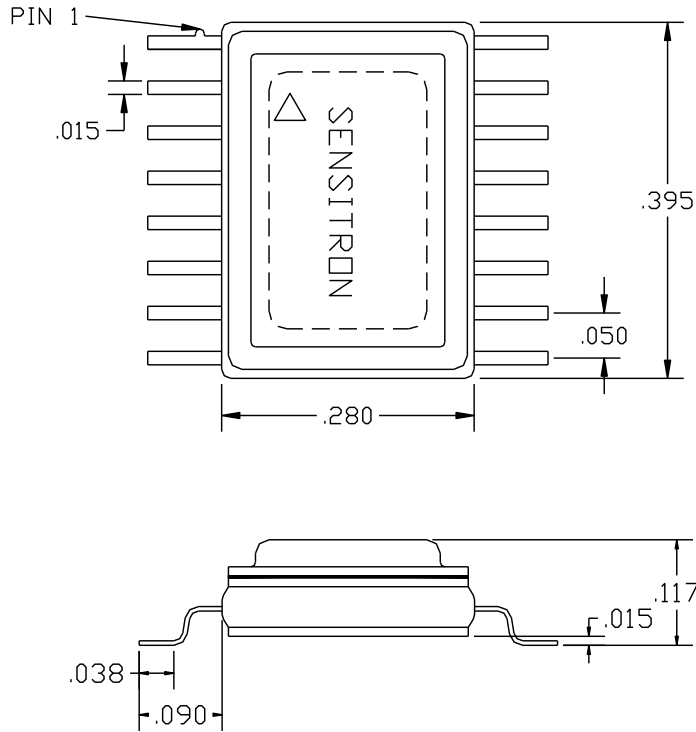
All rating at are  $T_A = 25^{\circ}\text{C}$  unless otherwise specified

RATING	SYMBOL	MAX	UNIT
Peak Inverse Voltage (DC)	PIV	75	V
Average DC Output Current Per diode	$I_O$	50	mA
Peak Single Cycle Surge Current <sup>(1) (3)</sup> ( $T_P=8.3\text{ms}$ single half-Sine wave)	$I_{FSM}$	500	mA
Peak Repetitive Surge Current <sup>(1) (2)</sup> ( $T_P=8.3\text{ms}$ half-Sine wave)	$I_{FRM}$	300	mA
Steady State Power Dissipation per Diode Junction <sup>(4)</sup>	$P_D$	400	mW
Steady State Power Dissipation per Package <sup>(5)</sup>	$P_T$	500	mW
Max. Operating Junction Temperature	$T_J$	-55 to +150	$^{\circ}\text{C}$
Storage Temperature Range	$T_{STG}$	-55 to +175	$^{\circ}\text{C}$
Max. Forward Voltage $I_F = 50\text{mA}$	$V_{F1}$	1	V
Max. Reverse Current $V_R = 20\text{V}$ $V_R = 40\text{V}$	$I_{R1}$ $I_{R2}$	50 100	nA
Max. Reverse Recovery Time $I_F = 10\text{mA}$ , $I_{RM} = 10\text{mA}$	$t_{RR}$	10	ns
Max. Capacitance $f = 1\text{MHz}$ , $V_R = 0\text{V}$	$C_T$	5	pF
Thermal Resistance Junction to Case	$\theta_{JC}$	40	$^{\circ}\text{C/W}$

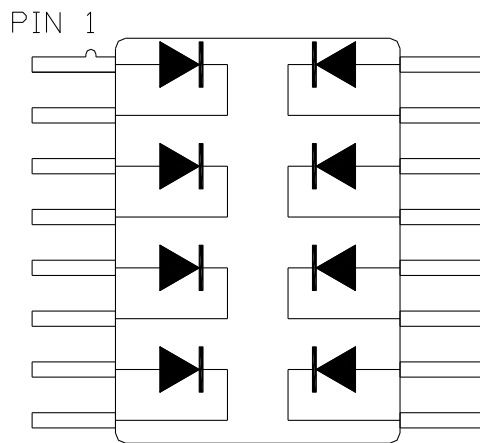
Note: (1) Each diode  
(2) Derate at  $2.4\text{mA}/^{\circ}\text{C}$  above  $25^{\circ}\text{C}$   
(3) Derate at  $4.0\text{mA}/^{\circ}\text{C}$  above  $25^{\circ}\text{C}$   
(4) Derate at  $3.2\text{mW}/^{\circ}\text{C}$  above  $25^{\circ}\text{C}$   
(5) Derate at  $4.0\text{mW}/^{\circ}\text{C}$  above  $25^{\circ}\text{C}$

TECHNICAL DATA  
DATA SHEET 5422, REV. C

**Mechanical Outline**



**Electrical Schematic**



TECHNICAL DATA  
DATA SHEET 5422, REV. C

**PART ORDERING INFORMATION**

Part Number	Sensitron Screening Level	Screened In Accordance to:
SDA1005	-	-
SDA1005S	S	MIL-PRF-38534, Class H
SDA1005SS	SS	MIL-PRF-38534, Class K

**DISCLAIMER:**

- 1- The information given herein, including the specifications and dimensions, is subject to change without prior notice to improve product characteristics. Before ordering, purchasers are advised to contact the Sensitron Semiconductor sales department for the latest version of the datasheet(s).
- 2- In cases where extremely high reliability is required (such as use in nuclear power control, aerospace and aviation, traffic equipment, medical equipment, and safety equipment), safety should be ensured by using semiconductor devices that feature assured safety or by means of users' fail-safe precautions or other arrangement.
- 3- In no event shall Sensitron Semiconductor be liable for any damages that may result from an accident or any other cause during operation of the user's units according to the datasheet(s). Sensitron Semiconductor assumes no responsibility for any intellectual property claims or any other problems that may result from applications of information, products or circuits described in the datasheets.
- 4- In no event shall Sensitron Semiconductor be liable for any failure in a semiconductor device or any secondary damage resulting from use at a value exceeding the absolute maximum rating.
- 5- No license is granted by the datasheet(s) under any patents or other rights of any third party or Sensitron Semiconductor.
- 6- The datasheet(s) may not be reproduced or duplicated, in any form, in whole or part, without the expressed written permission of Sensitron Semiconductor.
- 7- The products (technologies) described in the datasheet(s) are not to be provided to any party whose purpose in their application will hinder maintenance of international peace and safety nor are they to be applied to that purpose by their direct purchasers or any third party. When exporting these products (technologies), the necessary procedures are to be taken in accordance with related laws and regulations.