

TECHNICAL DATA
 DATA SHEET 479, REV. -

CENTER TAP/DOUBLER ASSEMBLY
 (RECTIFIER)

DESCRIPTION: 600 VOLT, 11.5 AMP, 70 NS CENTER TAP RECTIFIER.

MAX RATINGS/ELECTRICAL CHARACTERISTICS ALL RATINGS ARE AT $T_c = 25\text{ C}$ UNLESS OTHERWISE SPECIFIED

RATING	SYMBOL	MAX.	UNITS
PEAK INVERSE VOLTAGE (PER LEG)	PIV	600	Volts
MAXIMUM FORWARD VOLTAGE DROP (PER LEG) ($I_f = 9.0\text{ AMPS}$)	V_f	1.30	Volts
MAXIMUM DC OUTPUT CURRENT ($T_c = 100\text{ }^\circ\text{C}$) (PER LEG)	I_o	11.5	Amps
PEAK SINGLE CYCLE SURGE CURRENT $t_p = 8.3\text{ msec.}$ (PER LEG)	I_{FSM}	300	Amps
MAXIMUM REVERSE RECOVERY TIME ($I_f = 0.5\text{A}$, $I_r = 1.0\text{A}$, $t_{rr} = 0.25\text{A}$)	t_{rr}	70	nsec
MAXIMUM REVERSE CURRENT I_r @ PIV (PER LEG)	I_r	20	μA
MAXIMUM THERMAL RESISTANCE (PER LEG)	$R_{\theta JC}$	1.5	$^\circ\text{C/W}$
MAXIMUM OPERATING AND STORAGE TEMPERATURE	$T_{J, stg}$	-55 to +150	$^\circ\text{C}$

MECHANICAL DIMENSIONS: In Inches / mm

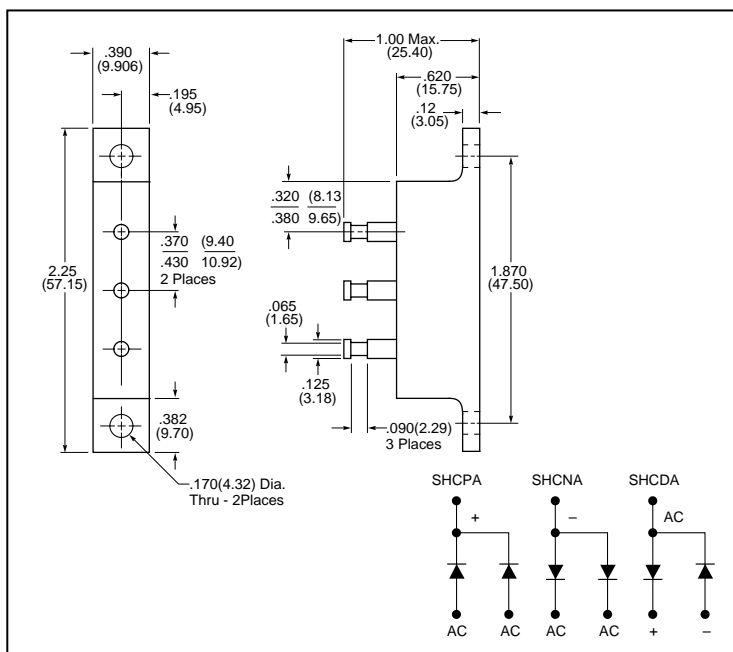


Fig. 417